

# IAM SERIES

---

## H8 MODELS

### INDEX

---

115	TECHNICAL DATA
116	DIMENSIONAL DRAWINGS
118	POWER CHARTS
120	ORDERING INSTRUCTIONS

[www.Laheghi.com](http://www.Laheghi.com)

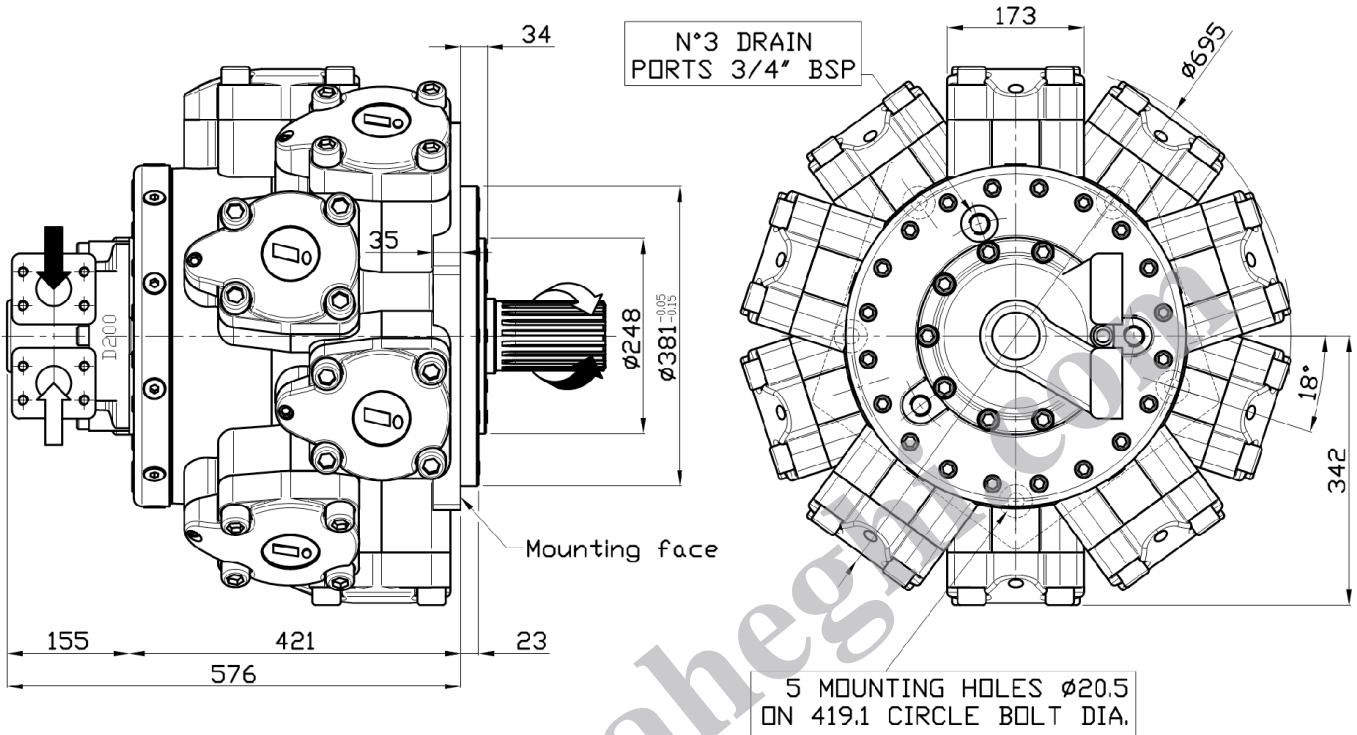
## IAM H8 - TECHNICAL DATA

MODEL	N° of pistons	Displacement	Specific Torque	Pressure			Speed		Max Case Pressure	Max Power	Dry Weight	Inertia moment of rotating parts	
				Max Cont.	Max Int.	Peak	Max Continuous	Peak					
		cc/rev	Nm/bar	bar	bar	bar	rpm	rpm	bar	hp	kW	kg	kg cm <sup>2</sup>
IAM H8 6000	10	5966	95,0	250	290	320	120	140	6	255	190	590	5380
IAM H8 6500	10	6581	104,7	250	290	320	120	140	6	255	190	590	5380
IAM H8 6800	10	6962	110,8	250	290	320	120	140	6	255	190	590	5380
IAM H8 7600	10	7620	121,3	190	230	280	90	100	6	241	180	590	5380
IAM H8 8000	10	8062	128,3	180	220	270	80	90	6	241	180	590	5380

www.Laheghi.com

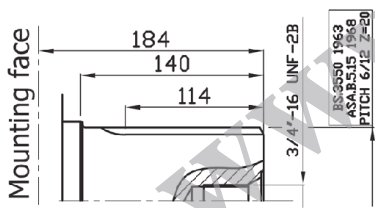
# IAM H8 - DIMENSIONAL DRAWINGS

## IAM 6000 – 6500 – 6800 – 7600 – 8000 H8

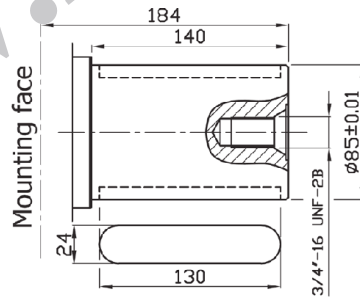


### SHAFT OPTIONS

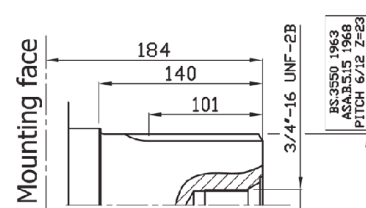
A1: Standard splined shaft



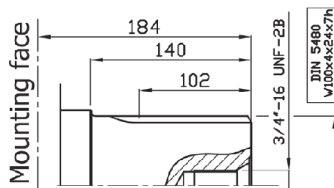
A2: Parallel shaft on request



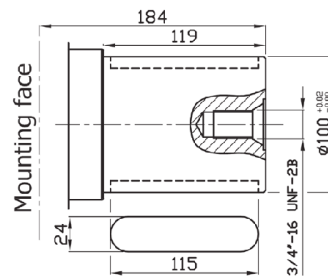
A11: Splined shaft on request



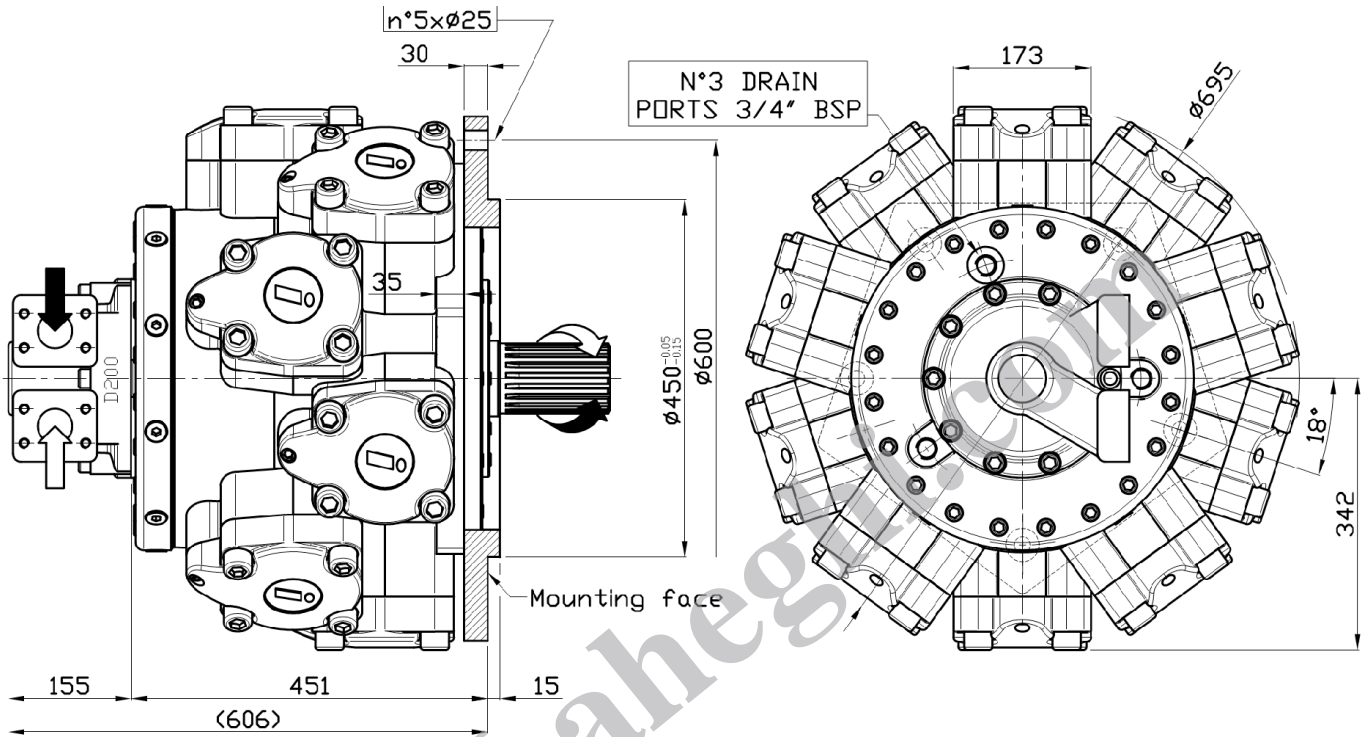
A5: Splined shaft on request



A22: Parallel shaft on request

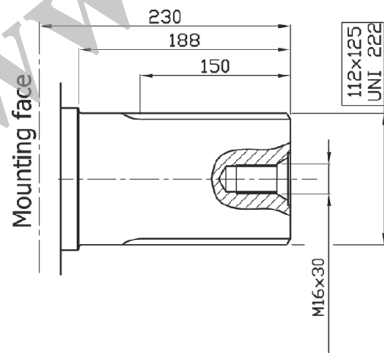


**IAM 6000/C – 6500/C – 6800/C – 7600/C – 8000/C H8**

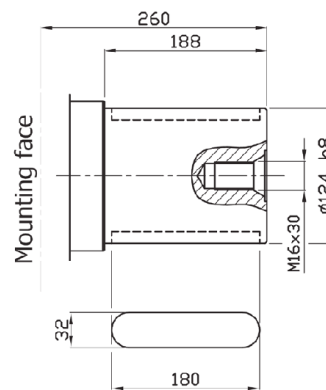


**SHAFT OPTIONS**

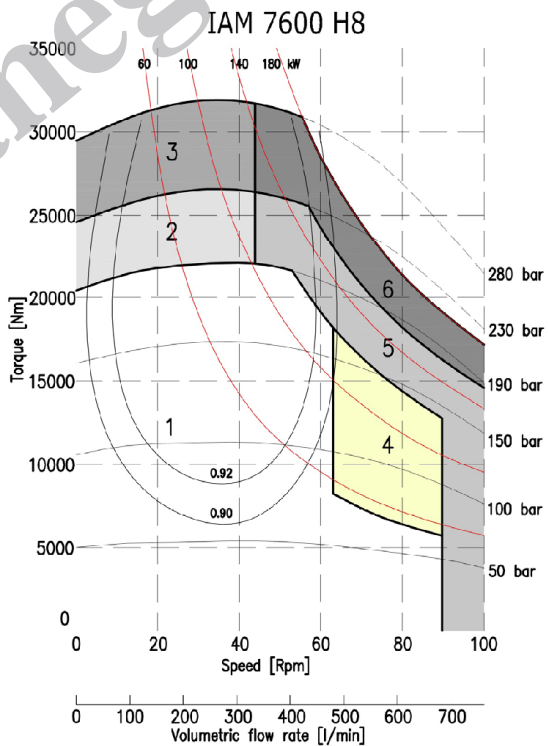
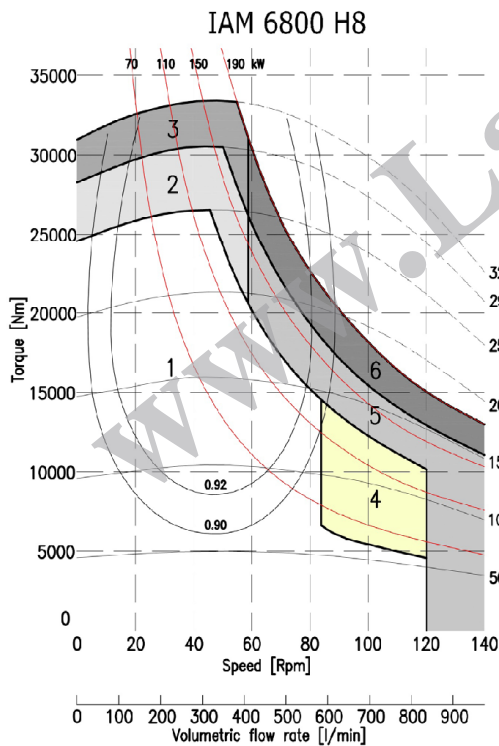
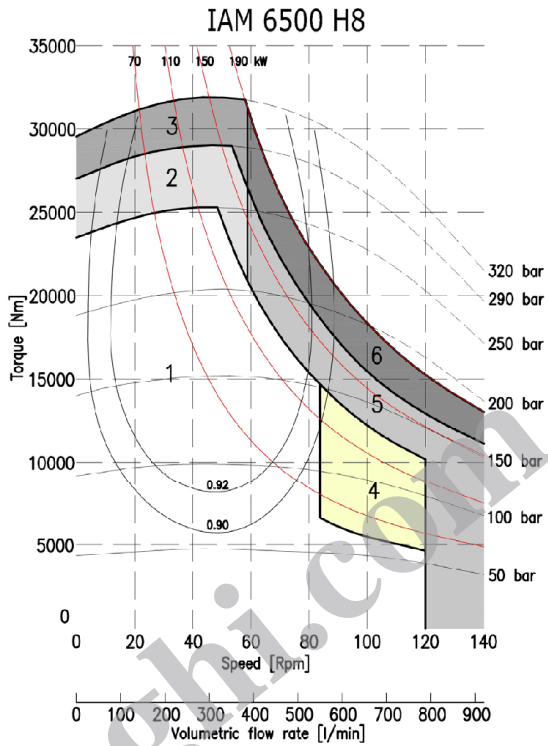
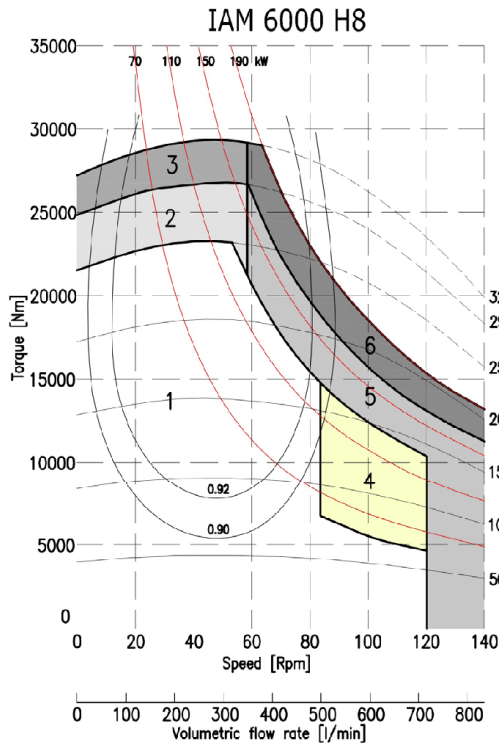
A0: Standard splined shaft



A2: Parallel shaft on request

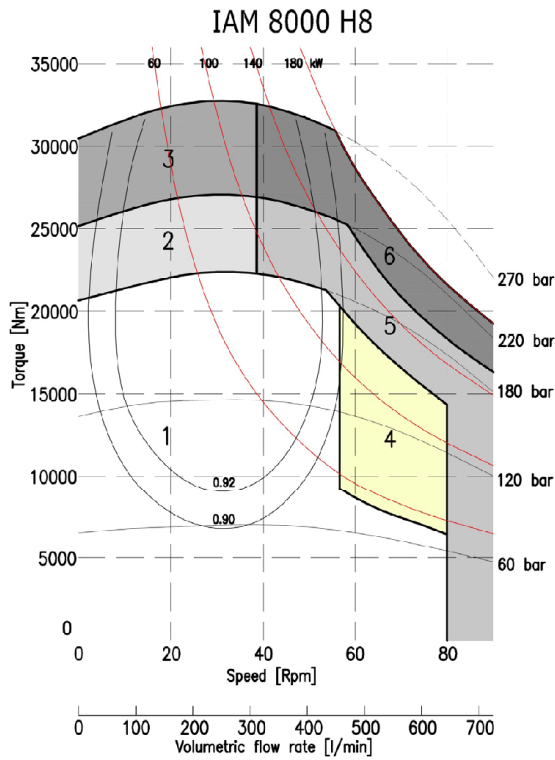


# IAM H8 - POWER CHARTS



1	Continuous operation
2	Intermittent operation for period 3-5 minutes every 10-15 minutes
3	Intermittent operation for very short period (3-5 seconds every 10-15 minutes)

4	Continuous operation with flushing
5	Intermittent operation for period 3-5 minutes every 10-15 minutes with flushing
6	Intermittent operation for very short period (3-5 seconds every 10-15 minutes) with flushing



www.Laheghi.com

1	Continuous operation
2	Intermittent operation for period 3-5 minutes every 10-15 minutes
3	Intermittent operation for very short period (3-5 seconds every 10-15 minutes)

4	Continuous operation with flushing
5	Intermittent operation for period 3-5 minutes every 10-15 minutes with flushing
6	Intermittent operation for very short period (3-5 seconds every 10-15 minutes) with flushing

## IAM H8 - ORDERING INSTRUCTIONS

IAM	----	/_	H8	A_	D_--	----	SB_--
<b>Model</b> IAM							
<b>Displacement</b> 6000 cc/rev 6500 cc/rev 6800 cc/rev 7600 cc/rev 8000 cc/rev							
<b>Interchangeability</b> /C							
<b>Housing</b> H8							
<b>Shaft</b> A0 – Splined shaft A1 – Special splined shaft A11 – Special splined shaft A2 – Parallel keyed shaft A22 – Parallel keyed shaft A5 – Special splined shaft							
<b>Distributor</b> D200 - SAE 2" 3000 psi flange							
<b>Tachometer</b> K TA TB EST							
<b>Spline billet</b> SB10 – BS 3550 SB12 – 112 UNI 222							

EXAMPLE :

IAM 6500 H8 A1 D200

IAM 7600/C H8 A0 D200